



**ELSNER ENGINEERING WORKS, INC.**

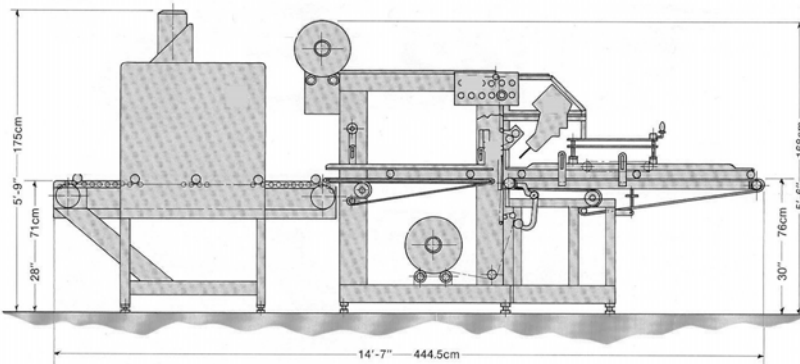
475 FAME AVE., P.O. BOX 66, HANOVER, PA 17331, U.S.A.

## **ELSNER SHRINK FILM ROLL OVERWRAPPER** **MODEL OW-C SERIES**



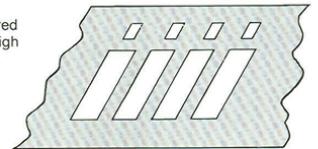
### **FEATURES:**

- Clear film overwrapping
- No film waste – full width of film is used; no edge trim required
- Adjustable thermal impulse seal wire system
- Powered overwrap film unwind
- Demand film feed length control
- Full size shrink tunnel
- Preliminary shrink heat control
- Quick changeover for diameter and width
- Main electrical disconnect switch
- Integral control voltage transformer
- Fully safety guarded
- Instruction manual, parts list, wiring diagram and floor plan
- Excellent parts and service support for dependable performance
- Traditional ELSNER quality



### **PREPRINTED FILM FEED:**

Photo electric registration of pre-printed film with powered unwind allows exact film dispensing. Ideally suited for high volume production where label changes are infrequent. The hot stamp imprinter adds further versatility to the option.



Converting Equipment For Your Success<sup>SM</sup>